



2021

A Smart Portable Chair

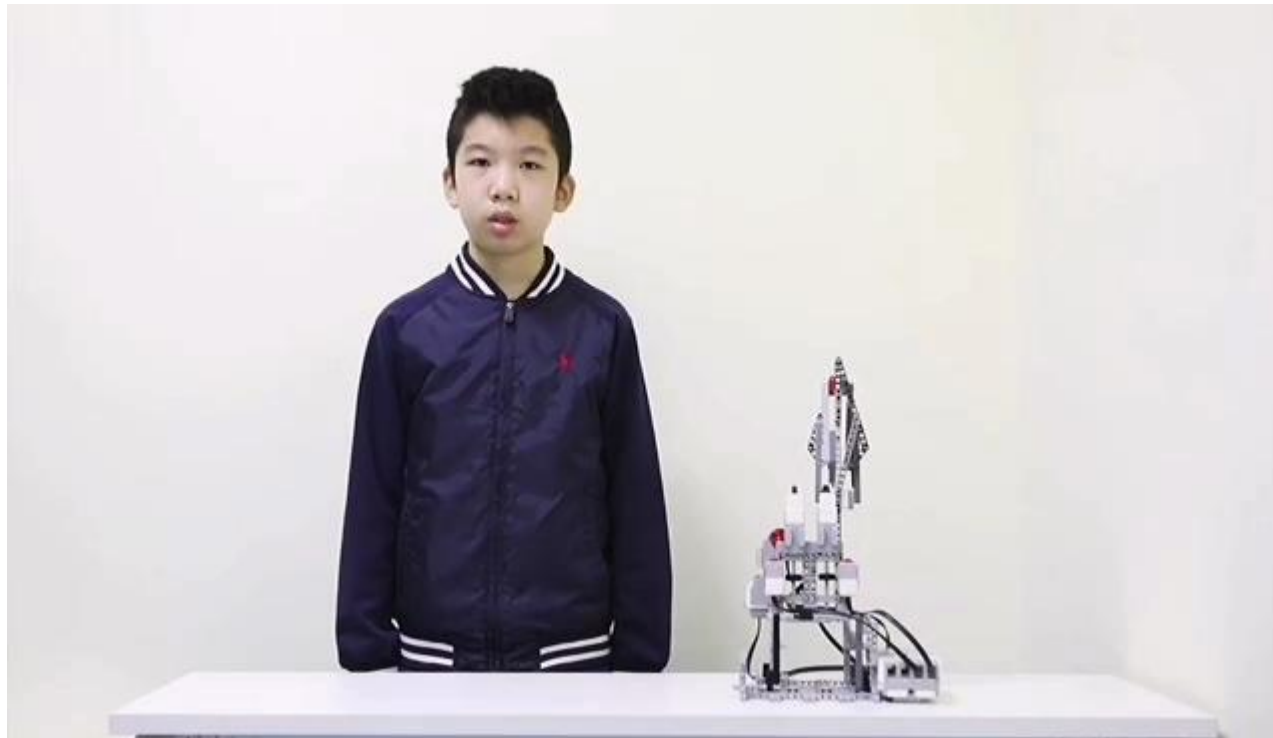
INVENTOR: LIUQIANYI
AGE:12



Introduction

The smart portable chair is mainly composed of three parts: the body, the back and the folding umbrella. In addition to providing the basic functions of the seat, there are three main functions: the folding and massaging back of the chair and the folding umbrella that opens automatically.

Check out the demo video:





Structure diagram



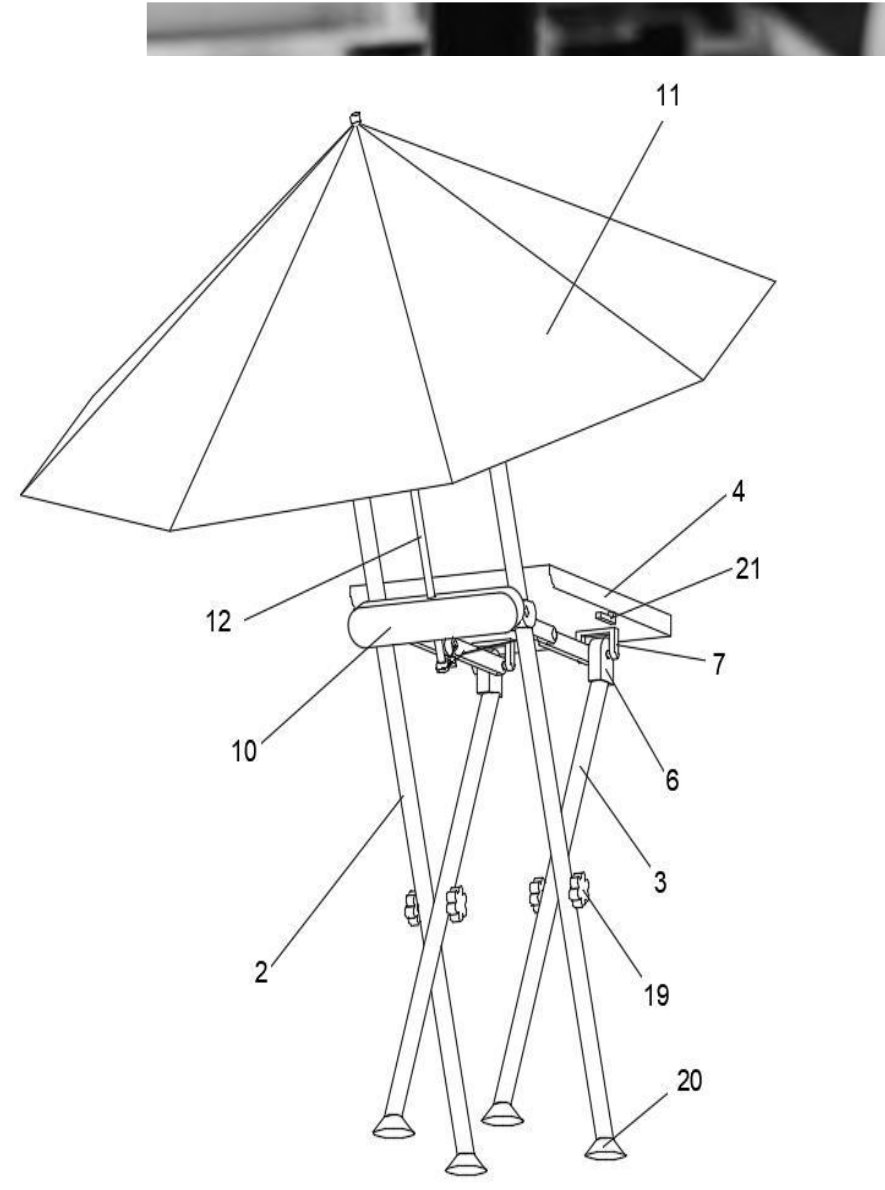
One-key operation



Simple structure, easy to produce



Easy to carry





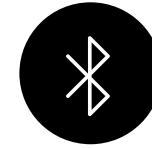
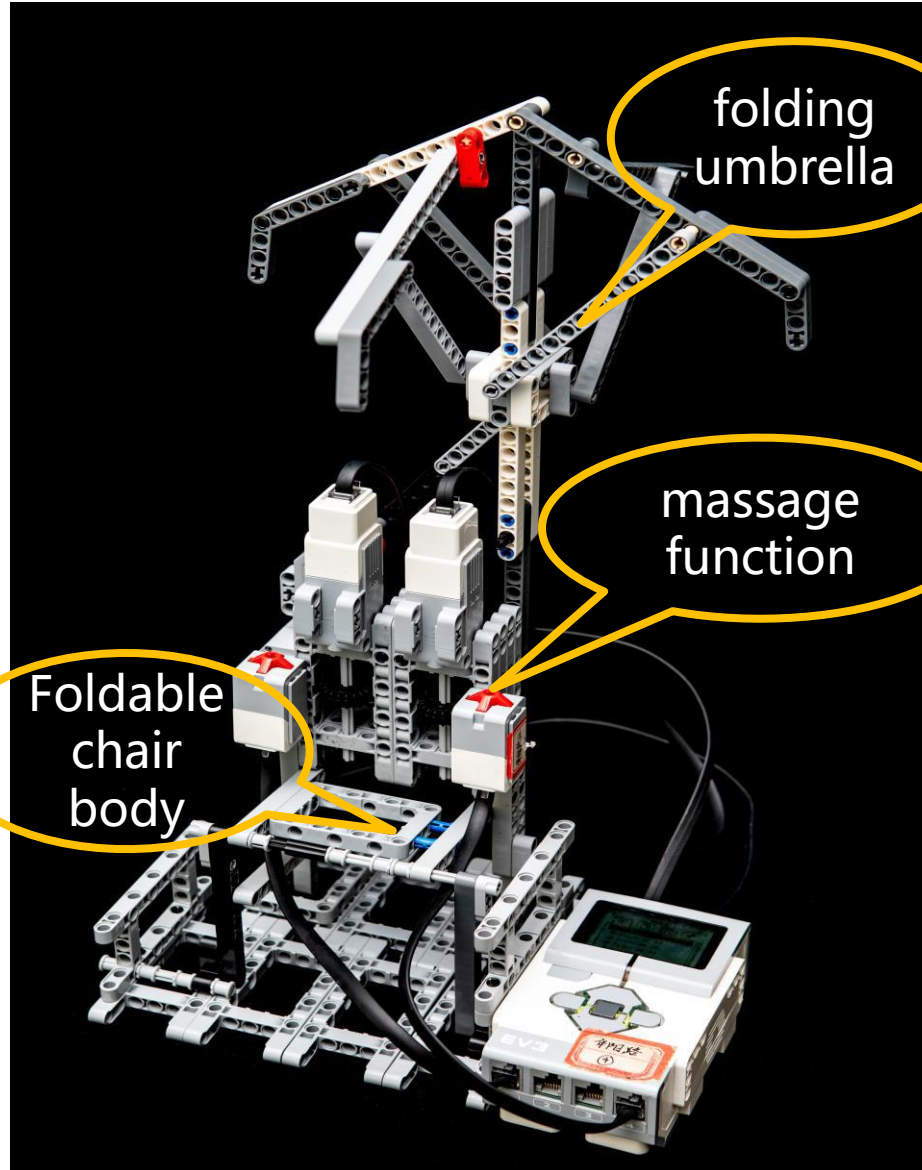
Diagrammatic figure



portable



Comfortable



Intelligent



Extensive



This invention has been granted the utility model patent/patent No.2020 1735483.7 This patent was selected into the Youth Science Popularization Newspaper· Science and Education Forum with ISSN 1006-6112, CN 21-0060



Patent certificate of State Intellectual Property Office of China



Juvenile Invention Award of Hebei Province/Second Prize





2021

**THANK YOU
FOR
WATCHING**



It is suitable for extensive promotion to provide people with more comfortable outdoor feeling.



It is applicable to a wider scope, basically not restricted by the site.



It is suitable for serving various age groups.



This smart portable chair is easy to carry, easy to operate, easy to master.