



Mentor:
DR.D.MOHAN

Team Trailblazers:
Rahul Polishetty
T.Bharat Kumar
B.S.R.P.S.Kiran
Rajesh Gudikandula
Mohd.Aleemuddin

THE PROBLEM STATEMENT:

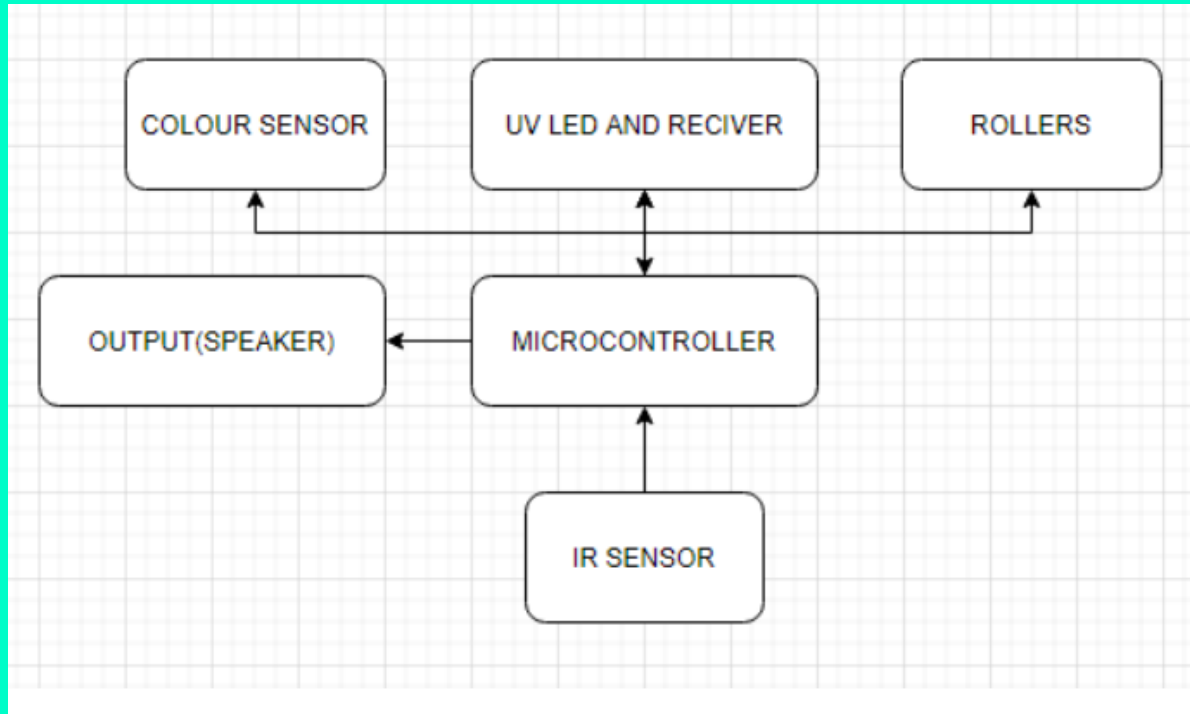
People take advantage of the blind's capacity to sight and manipulate them rather than being kind to them. They end up paying more or being duped because it is difficult to distinguish between different banknotes (due to the new and old notes).

THE TEAMS APPROACH TO SOLVE THE PROBLEM:

IN THIS GADGET, WE ACCEPT INPUT VIA BILL ACCEPTANCE, IDENTIFY THE AMOUNT IN RUPEES BY A COLOUR SENSOR, AND OFFER A VOICE INSTRUCTION TO THE USER VIA AN OUTPUT SPEAKER. AS A RESULT, VISUALLY IMPAIRED PEOPLE CAN USE THIS APPLICATION TO ESTIMATE THE COST OF A RESOURCE OR A CURRENCY EXCHANGE (TRANSACTIONS).

IT IS ALSO CAPABLE OF DETECTING FORGED OR COUNTERFEIT BANKNOTES, AS WELL AS CHILDREN'S MONEY.

BLOCK DIAGRAM:



WHAT INSPIRED YOU TO SELECT THE PROJECT?

With fast developing technology and sciences, mankind are pushing themselves forward while abandoning principles and humanity. Everyone is concerned with addressing their difficulties and simplifying their lives, but few consider others who are suffering from inconceivable difficulties such as blindness and many more.

The desire to assist them became our team's top priority because they are dealing with a variety of issues, including those who are deceiving them, misleading them, and bullying them about their loss of sight.



CAD MODEL

REFERENCE:

Poster :

- <https://drive.google.com/file/d/1LHVpK20oeuU1SitDUYaIHqKG-JCX5TYA/view?usp=sharing>
- <https://drive.google.com/file/d/1CrSj4ZAvGhKRel1uvmQ7iZt2cs6pzoCT/view?usp=sharing>

Video:

- <https://youtu.be/RUnfntubqTU>